

**CrucialExams**

**Cisco**

**300-180 Exam**

**Cisco Troubleshooting Cisco Data Center Infrastructure Exam**

**Thank you for Downloading 300-180 exam PDF Demo**

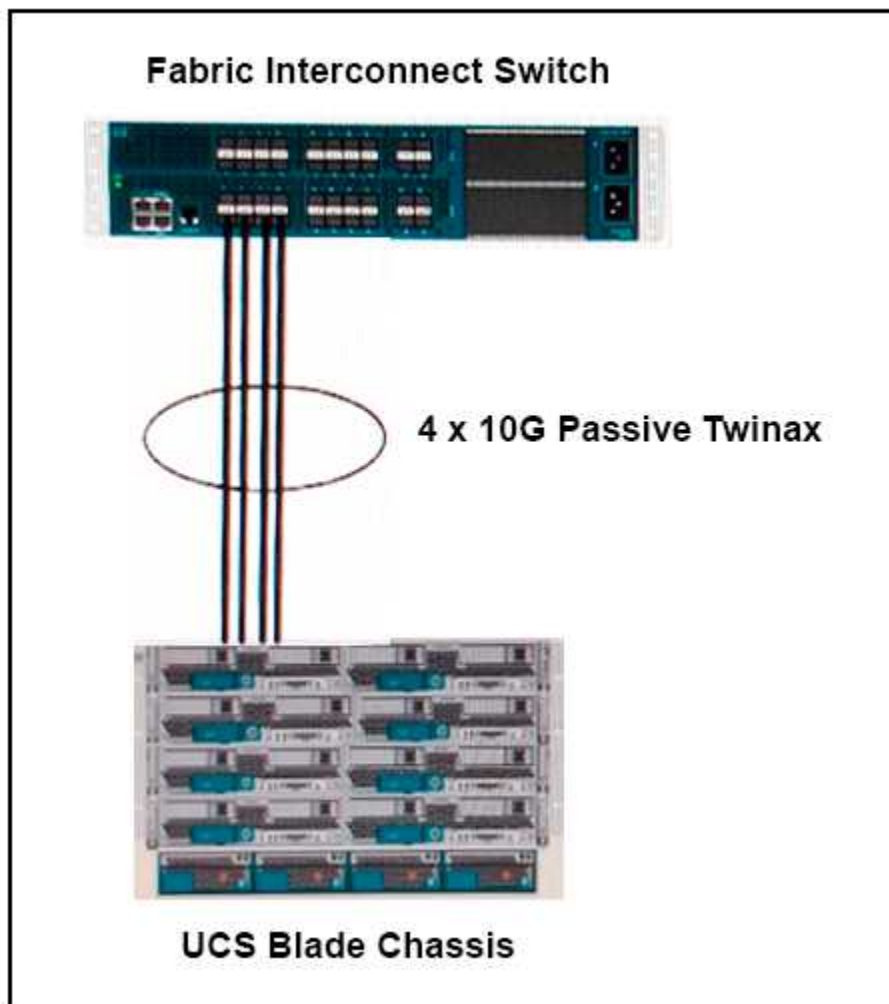
## Version: 24.0

---

### Question: 1

---

Refer to the exhibit.



Your customer is migrating their existing top-of-rack data center to a new location that uses an end-of-rack configuration. The customer requests a site survey prior to the migration. Which fact must you highlight in your survey that is required for a successful translation?

- A. power source must be 240 volts only for blade chassis.
- B. power source must be 240 volts only for fabric interconnect switches.
- C. blade chassis using passive TWINAX cables must be placed within 5 meters of the end rack.
- D. Blade chassis must not be fully equipped with blades when using an end-of-rack setup.

---

**Answer: C**

---

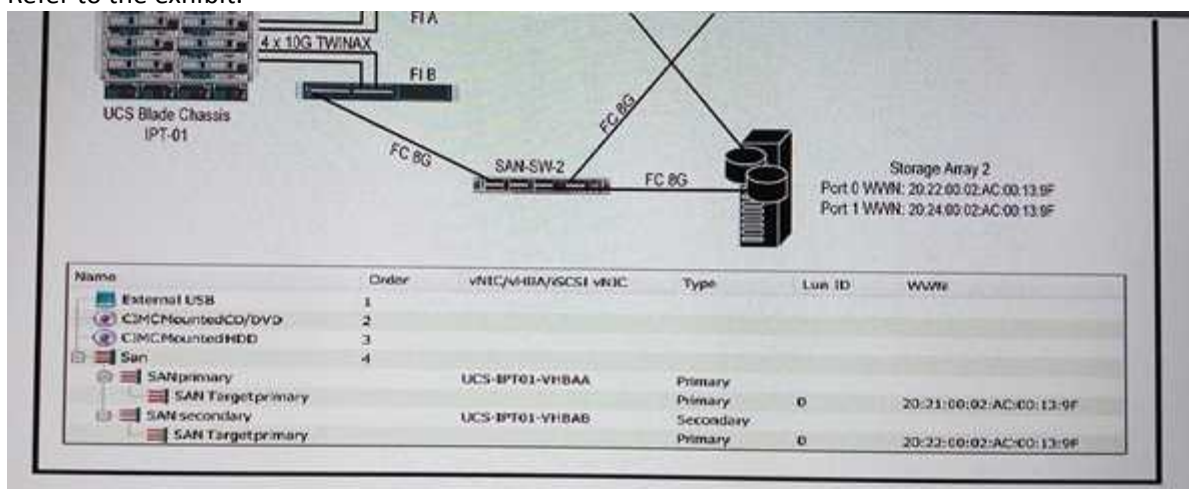


---

**Question: 2**

---

Refer to the exhibit.



SAN-SW-1 has failed and must be replaced. Your client reports that all servers are booting from storage array 2 even though storage array 1 is up and reachable by Cisco UCS infrastructure. Which reason is

- A. SAN target primary under SAN primary must be changed to SAN target secondary under SAN secondary.
- B. SAN target primary under SAN secondary must be changed to SAN target secondary under SAN secondary.
- C. SAN target primary under SAN secondary must be changed to SAN target secondary under SAN primary.
- D. SAN target secondary must be added to primary and SAN secondary.

---

**Answer: D**

---



---

**Question: 3**

---

DRAG DROP

Refer to the exhibit.

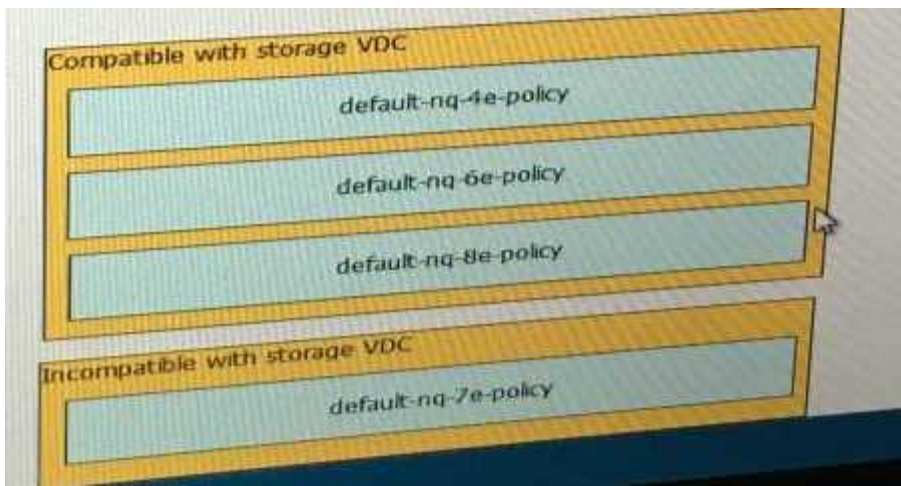
```
CORE-7K1 (config)# vdc CORE-FC-SW1 type storage
Note: Creating VDC, one moment please ...
Note: FCoE Enable failed

CORE-7K1 (config)# service-policy type network-gos ?
default-nq-4e-policy Default 4-ethernet policy (4-drop 4-nodrop CoS)
default-nq-6e-policy Default 6-ethernet policy (6-drop 2-nodrop CoS)
default-nq-7e-policy Default 7-ethernet policy (7-drop 1-nodrop CoS)
default-nq-8e-policy Default 8-ethernet policy (8-drop CoS)
```

You are configuring a FCoE VDC on a Cisco Nexus 7000 Series Switch. You are required to identify compatible QoS policies for the FCoE VDC. Drag and drop the QoS policy names on the left to their correct compatibility categories on the right.

default-nq-6e-policy	Compatible with storage VDC
default-nq-7e-policy	
default-nq-8e-policy	
default-nq-4e-policy	Incompatible with storage VDC

**Answer:**



**Question: 4**

Refer to the exhibit.

```
VSM-Host3(config)# port-profile type ethernet N1k-Uplink-Host3
VSM-Host3(config-port-prof)# channel-group auto mode active
```

You customer reports that the virtual machines operating on Host3 are not communicating with the external network .While troubleshooting you determine these facts:

- \* Host3 is a UCS blade chassis server connected to two fabric interconnect switches.
- \* The fabric interconnect switches are connected to the campus Cisco 6800 core switch.
- \* N1kv is the virtual switch configured on the VMWARE hypervisor installed on Host3.
- \* port profile N1k-Uplink-Host3 is connecting Host3 virtual networks to the external network.

Which reason is the cause of this problem?

- A. port profile is the cause of this problem?
- B. port aggregation mode under the N1k-Uplink-Host3 port must be changed to passive.
- C. port aggregation mode under the N1k-uplink-Host 3 port profile must be changed to MAC pinning
- D. port aggregation mode under the N1k-Uplink-Host3 must be removed.

---

**Answer: C**

---

---

### Question: 5

---

Which communication is exchanged between neighbors during OTV adjacency formation across the layer 3 multicast network?

- A. IGMP packets
- B. OTV open messages
- C. L1 IS-IS Hello packets
- D. OTV adjacency packets

---

**Answer: A**

---

---

### Question: 6

---

Refer to the exhibit.

```

- # vncmd show card
Card UUID type 2: 24266920-d498-11e0-0000-000000000000
Card name:
Switch name: Nexus1000v
Switch alias: DevPortest-0
Switch uuid: ee 63 3c 50 04 b1 6d d6-58 61 ff ba 56 05 14 fd
Card domain: 27
Card slot: 3
VEM Tunnel Mode: L3 Mode
VEM Control (AIPC) MAC: 00:02:3d:10:1b:02
VEM Packet (inband/outband) MAC: 00:02:3d:20:1b:02
VEM Control Agent (CPA) MAC: 00:02:3d:40:1b:02
VEM SPAN MAC: 00:02:3d:30:1b:02
Primary VEM MAC : 00:50:56:bc:74:e1
Primary VEM EXT MAC : 00:50:56:bc:62:bd
Primary VEM MGMT MAC : 00:50:56:bc:0b:d5
Standby VEM CTRL MAC : 00:50:56:bc:6a:3d
Management IPv4 address: 14.17.168.1
Management IPv6 address:
0000:0000:0000:0000:0000:0000:0000:0000
Primary L3 Control IPv4 address: 0.0.0.0
Secondary VEM MAC : 00:00:00:00:00:00
Secondary L3 Control IPv4 address: 0.0.0.0
Upgrade : Default
Max physical ports: 32
Max virtual ports: 216
Card control VLAN: 854
Card packet VLAN: 854
Control type multicast: No
Card Headless Mode : No
Processors: 16
Processor Cores: 8
Processor Sockets: 2
Kernel Memory: 25102148
Port link-up delay: 5s
Global DDPB: DISABLED
Heartbeat Set: True
PC LB Algo: source-mac
Datapath portset event in progress : no
Licensed: Yes

switch1# show mac address-table | grep 1b02
* 168 0002.3d20.1b02 dynamic 20 F F Veth054
* 168 0002.3d40.1b02 dynamic 0 F F Veth854
* 1 0002.3d40.1b02 dynamic 1380 F F Veth054
    
```

Which statement describes the output of the command?

- A. The VSM is connected to the vCenter server.
- B. The ports of the host are added to the DVS on VLAN 27.
- C. The DPA interface a configured to use the incorrect VLAN.
- D. The active VSM is connected to the standby VSM.

---

**Answer: A**

---



---

**Question: 7**

---

Refer to the exhibit.

```

switch# show user-account user1
user:user1
    this user account has no expiry date
    roles: tech-admin vsan-admin
no password set. local login not allowed
Remote login through RADIUS is possible

switch# show role tech-admin
Role: tech-admin
Description: Admin management group
vlan policy: permit

-----
Rule      Type      Command-type      Feature
-----
1.        permit    config             *
2.        deny      config             role
3.        permit    debug              ntp
4.        permit    exec               *
    
```

A user named user 1 cannot create roles. Which action do you take to resolve the issue?

- A. Allow user 1 to log in locally.

- B. Assign user1 to the network-admin role.
- C. Assign user1 to the tech-admin role only.
- D. Set the user password for user1.

---

**Answer: D**

---

---

**Question: 8**

---

Which statement about the Nexus atomic rollback feature is true?

- A. it restores the default manufacturing configuration.
- B. Each error must be acknowledged prior to implementation.
- C. it is implemented only if error occur.
- D. it is implemented and any errors are skipped.

---

**Answer: C**

---

---

**Question: 9**

---

A customer has a Cisco UCS Center cluster. The customer configures LDAP as the AAA protocol and enables SSL for LDAP. The LDAP authentication fails. Which issue is the cause of the failure?

- A. The LDAP client passed an incorrect from the trustpoint.
- B. The CA certificate is missing from the trustpoints.
- C. The LDAP server limit that is set by an administrative authority was exceeded.
- D. The LDAP time limit that is specified by either the client or the server was exceeded.

---

**Answer: D**

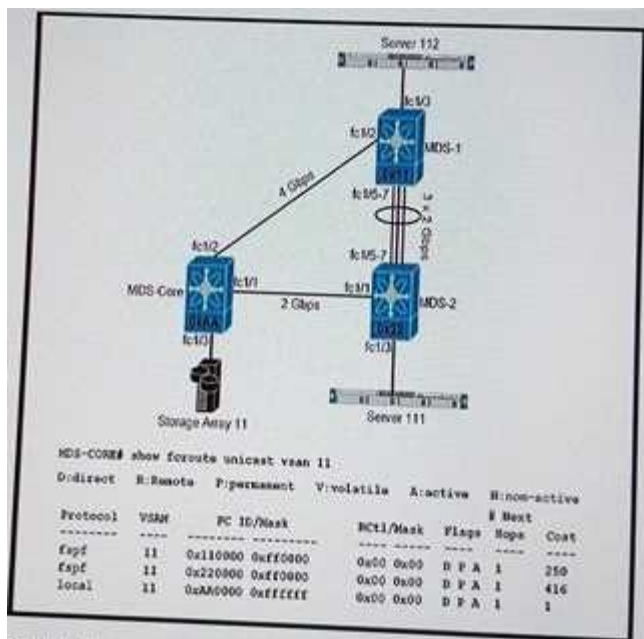
---

---

**Question: 10**

---

Refer to the exhibit.



Your customer reports that all storage traffic from storage array 11 to server 111 is taking the longest path, traveling from MDS-1 to MDS-2. You start troubleshooting the issue by checking the Fibre Channel routing table. Which configuration set fixes the customer issues without affecting the storage array route of server 112?

- A. MDS-Core(config)# interface fc1/1  
MDS-Core(config-if)# fspf cost 90 vsan 11
- B. MDS-Core(config)# interface fc1/1  
MDS-Core(Config-if)# cost 80 vsan 11
- C. MDS-Core(config)# interface fc 1/1  
MDS-Coe(config-if)# fspf cost 60 vsan 11
- D. MDS-Core(config)# interface fc1/1  
MDS-Core(config-if)# fspf cost 70 vsan 11

---

**Answer: C**

---



**Thank You for trying 300-180 PDF Demo  
To BUY our 300-180 practice exam  
software visit link below  
<https://www.crucialexams.net/300-180/>**

## **Start Your 300-180 Preparation**

Use Coupon "CRUCIAL10" for extra 20% discount on the purchase of Practice Test Software. Test your 300-180 preparation with actual exam questions.